



SSX
19 PIN
REVERSE
CONNECTOR
NEW SERIES

syntax
no compromise

SSX 19 PIN REVERSE SERIES



The **SYNTAX® SSX** series, designed for professional lighting applications and perfectly compatible with standard Socapex 419 series, is extremely robust being made of thick wall construction machined aluminium alloy, with a hard black anodized finish or black painted finish. The contacts insert is chloroprene rubber, which enables the use of removable contacts, either crimp or solder version. The unit is completely IP67 watertight when mated.

Electrical safety and compliance is guaranteed by internal insulation of the shells, obtained through a safety insulating sleeve to prevent electric shock, as well as "first make last break" ground contacts. Grounding rings allow bussing of the ground contacts. Locking rings and backshells are designed for easy handling.

- Ingress protection: IP67-IEC 529 norms
- Salt atmosphere resistance: 96 h IEC 68-21-11
- Operating temperature: -55°C to +125°C
- Shell material: machined aluminium alloy
- Finish: anodized or black painted
- Chloroprene rubber insert
- Cable gland retention: Metric M40-M50-M63

CONTACTS

The male and female are machined by high conductive copper alloy and are gold or silver plated finish.



CRIMP

Voltage rating AC	Voltage rating DC	Max current	Rated current	Potential drop	Dielectric Strength	
					Test voltage	Min. Flashover
700 V	500 V	41 Amps	23 Amps	63 mV	2000 Vac RMS	2800 Vac RMS



GOLD Male



SILVER Male



GOLD Female



SILVER Female

SOLDER

Voltage rating AC	Voltage rating DC	Max current	Rated current	Potential drop	Dielectric Strength	
					Test voltage	Min. Flashover
700 V	500 V	41 Amps	23 Amps	63 mV	2000 Vac RMS	2800 Vac RMS



GOLD Male



SILVER Male



GOLD Female



SILVER Female

SSX 19 PIN REVERSE SERIES



METRIC CABLE GLANDS FOR SSX SERIES

CABLE CLAMP RANGE - METRIC	
Thread Size	Clamping Range (mm)
M 40 x 1.5	15 - 23
M 40 x 1.5	19 - 28
M 40 x 1.5	22 - 32
M 50 x 1.5	24 - 38,5
M 63 x 1.5	36 - 48

With M63

With M40

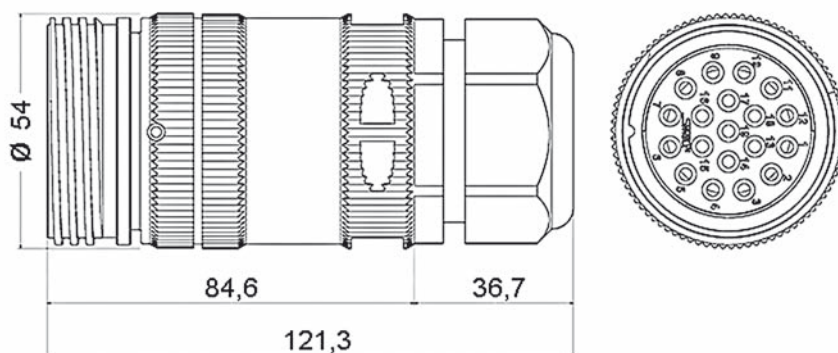
The image shows several black metric cable glands. On the left, there are two stacks of glands. On the right, there are four individual glands, two labeled 'With M63' and two labeled 'With M40'. The glands have a hexagonal nut and a threaded body.

SSX 19 PIN REVERSE SERIES

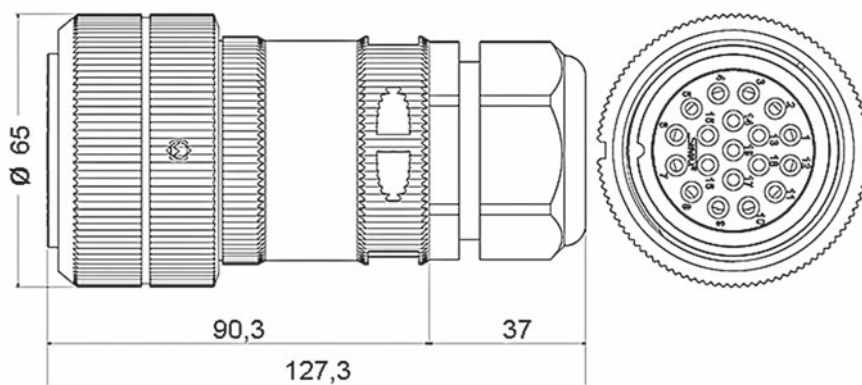


OVERALL SIZE

INLINE MALE



INLINE FEMALE



SSX 19 PIN REVERSE - SPIDER



SYNTAX® SSX SPIDER 19 pin connector is an alternative version of the SSX 19 pin standard, studied to get simple managing of break-in and break-out operations. The special 8-way rubber grommet, fitted in the cable gland terminal, guarantees optimal cable retention and a perfect watertight seal IP67 necessary for outdoor use. Supplied with 8 **SYNTAX® MAINFLEX** cable leads, it represents the best solution to meet the requirements as for handling and waterproof IP67 protection.



Moulded nut to insert/pull out the rubber grommet, using the removal tool



Removal tool



Pull out



SSX 19 PIN REVERSE SERIES

FEATURES for ASSEMBLING and USAGE

Once wiring is carried out, both circular knurling and machined housings for customized wrench jaws on the backshell's edge contribute to easier locking.

Pic. 1 - A housing that allows dust cap lacing has also been considered. Dust cap is laced through a special high-resistance cable made up of seven stainless strands, covered by an anti-scratch Teflon black tube provided with standard dust cap.

Pic. 2 - Machined housings (2a) for customized wrench (Part N. SVKT-KSW) and marked knurl ridges (2b) for strap wrench (Part N. SVKT-KSTRAP)

Pic. 3 - 4 - Anti-twisting grub screw to prevent unintentional unscrewing of the corrector's backshell when mating female and male connectors.



PART NUMBER EXPLANATION



Part N.

EXAMPLE Part N. **SSX 19 F V D G S MP N T 1**

CONNECTOR SERIES	
SSX = 19 pin standard series	SSX

CONTACTS NUMBER	
19	19

CONTACT TYPE	
M = male	M
F = female	F

CONNECTOR TYPE	
V = inline	V

COUPLING TERMINATION	
- = with thread	-
D = ergonomic oversized locking ring with stronger roller pins	D
R = rubber coated locking ring	R

CONTACT PLATING TYPE	
G = gold	G
S = silver	S
N = no contact	N

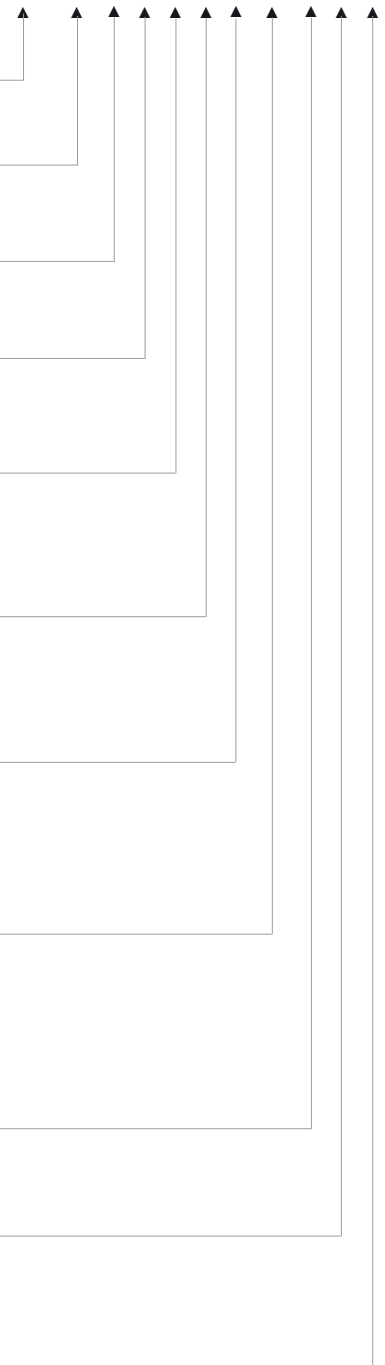
CONTACT TERMINATION	
C = crimp	C
S = solder	S
N = no contact	N

CABLE CLAMP RANGE - METRIC		
Thread Size	Clamping Range (mm)	
M 40 x 1.5	15 - 23	MQ
M 40 x 1.5	19 - 28	MP
M 40 x 1.5	22 - 32	MR
M 50 x 1.5	24 - 38,5	
M 63 x 1.5	36 - 48	

CABLE CLAMP TYPE	
N = normal	N
R = strain relief	R

SPECIAL VERSION (upon request)	
For example: T = inserted solder termination contacts	T
U = shell grounding	U

EXTERNAL FINISH	
_ = black painted	_
1 = black anodized	1
Special versions upon request	



VALENTINI

www.syntaxnet.it
info@syntaxnet.it
Tel. +39 0119594160
Fax +39 0119594166
via Asti 84/A
10098 Rivoli
(TO) - ITALY

SYNTAX[®]
is a VALENTINI Trade Mark

