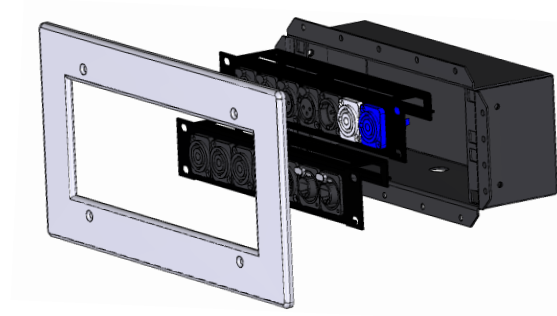
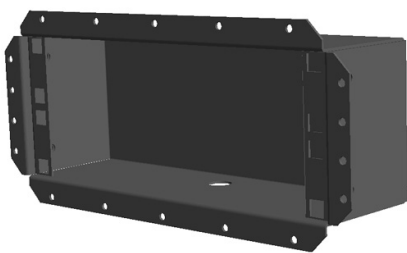


PRORACK INW-SERIES

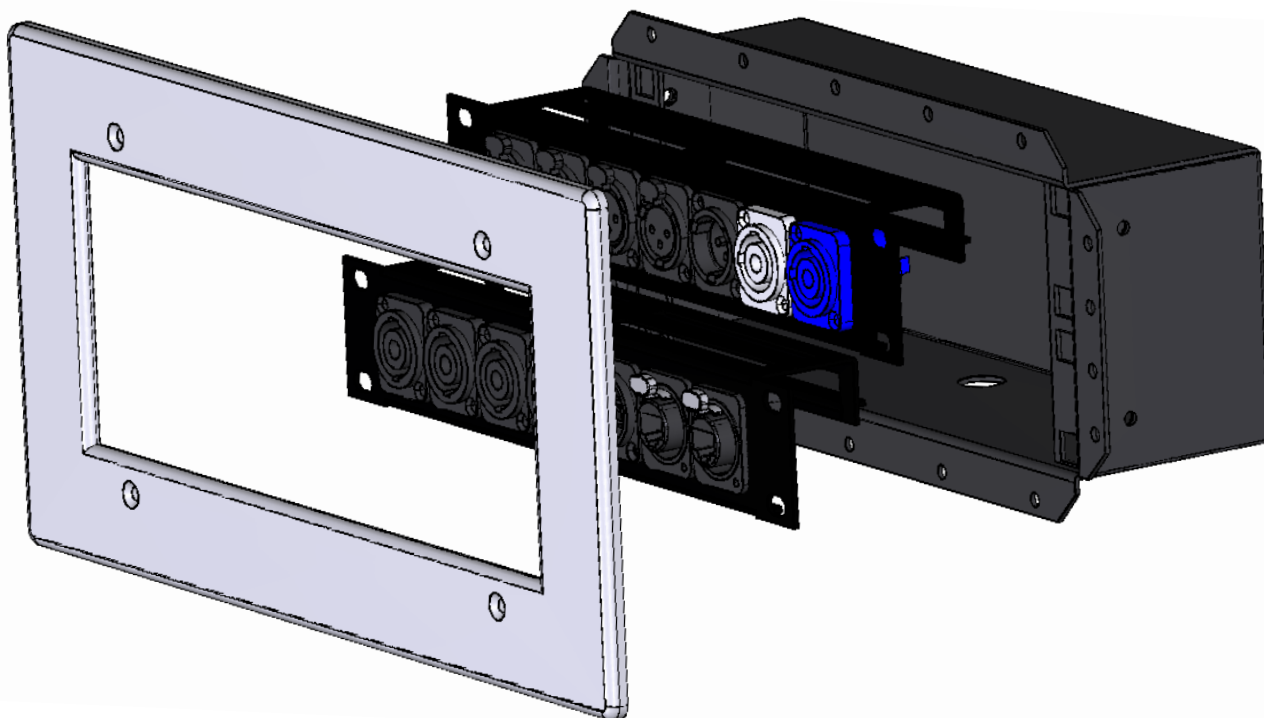
In-Wall 9,5" rackmount cabinets



PROPHON
AUDIO & TEKNIK AB

PRORACK INW-SERIES

In-Wall 9,5" rackmount cabinets



The Prorack INW95 is an in-wall mounting box, for A/V installations.

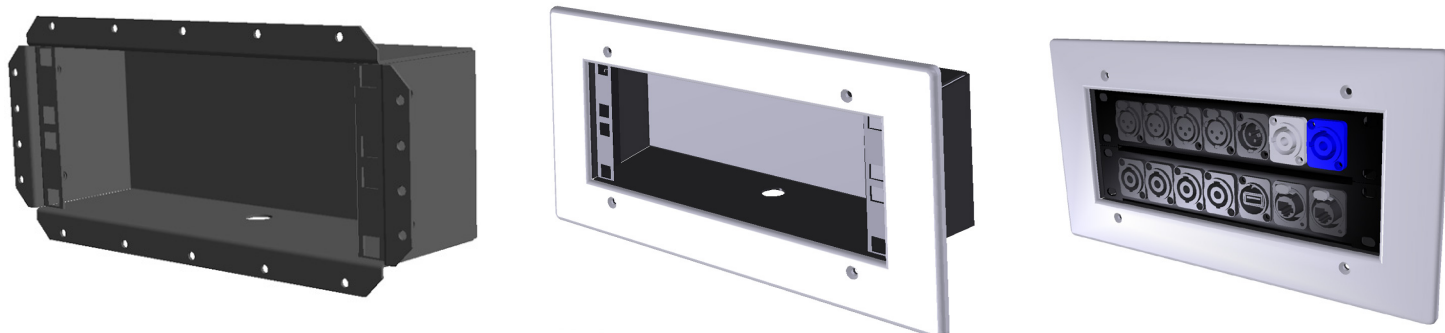
It features 2RU in height for mounting 9,5" panels, with standard racking cagenuts.

We offer a variety of panels for mounting Ethernet, speakon, PowerCon, XLR, HDMI, DVI, RCA, TELE, multiconnectors 4, 6, 8 and 12 pairs.

There are two colors as standard for the wooden covering frame, black and white, but other colors are available for architectural installations where color must be included in the design.

The frame and the panels can be removed for service and for adding or changing in the layout of the connectors.

The design is made of three parts; the INW95 box with 9,5" rackmounts, the different panels for mounting connectors, and the cover frame, where you order each part separately to configure the system to suit your project and needs.



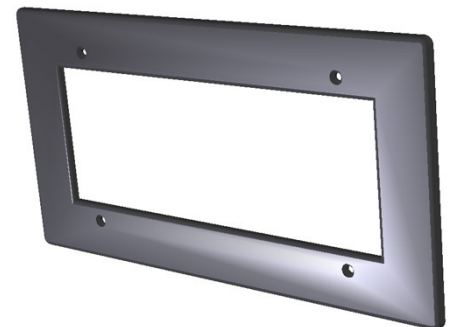
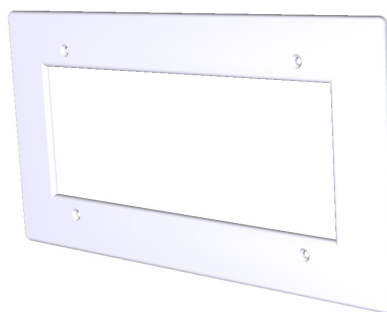
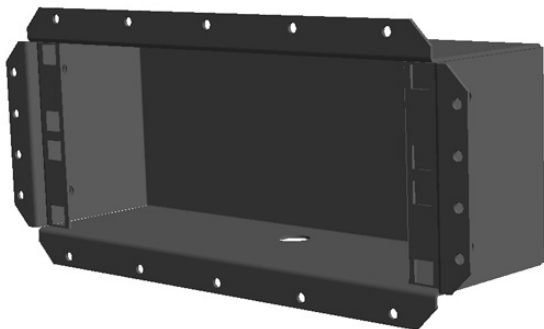
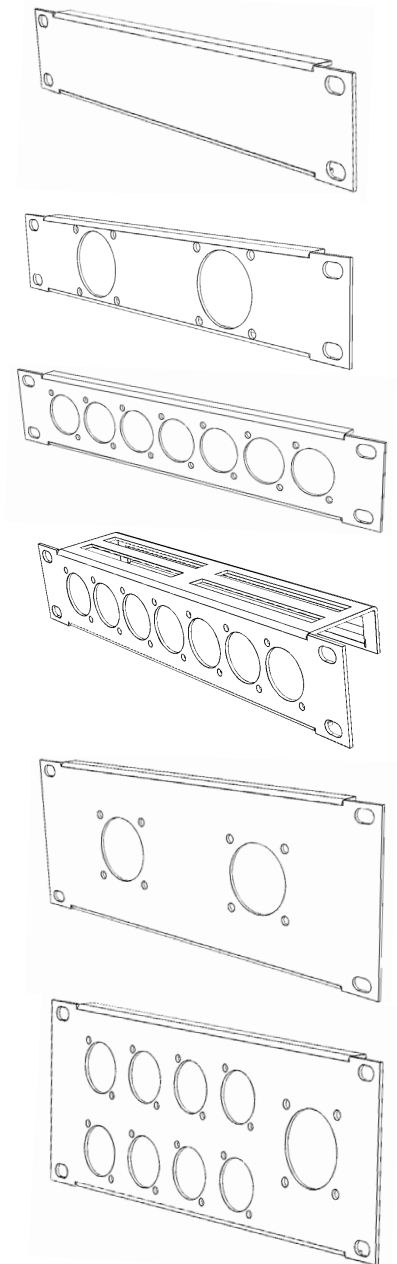
PROPHON
AUDIO & TEKNIK AB

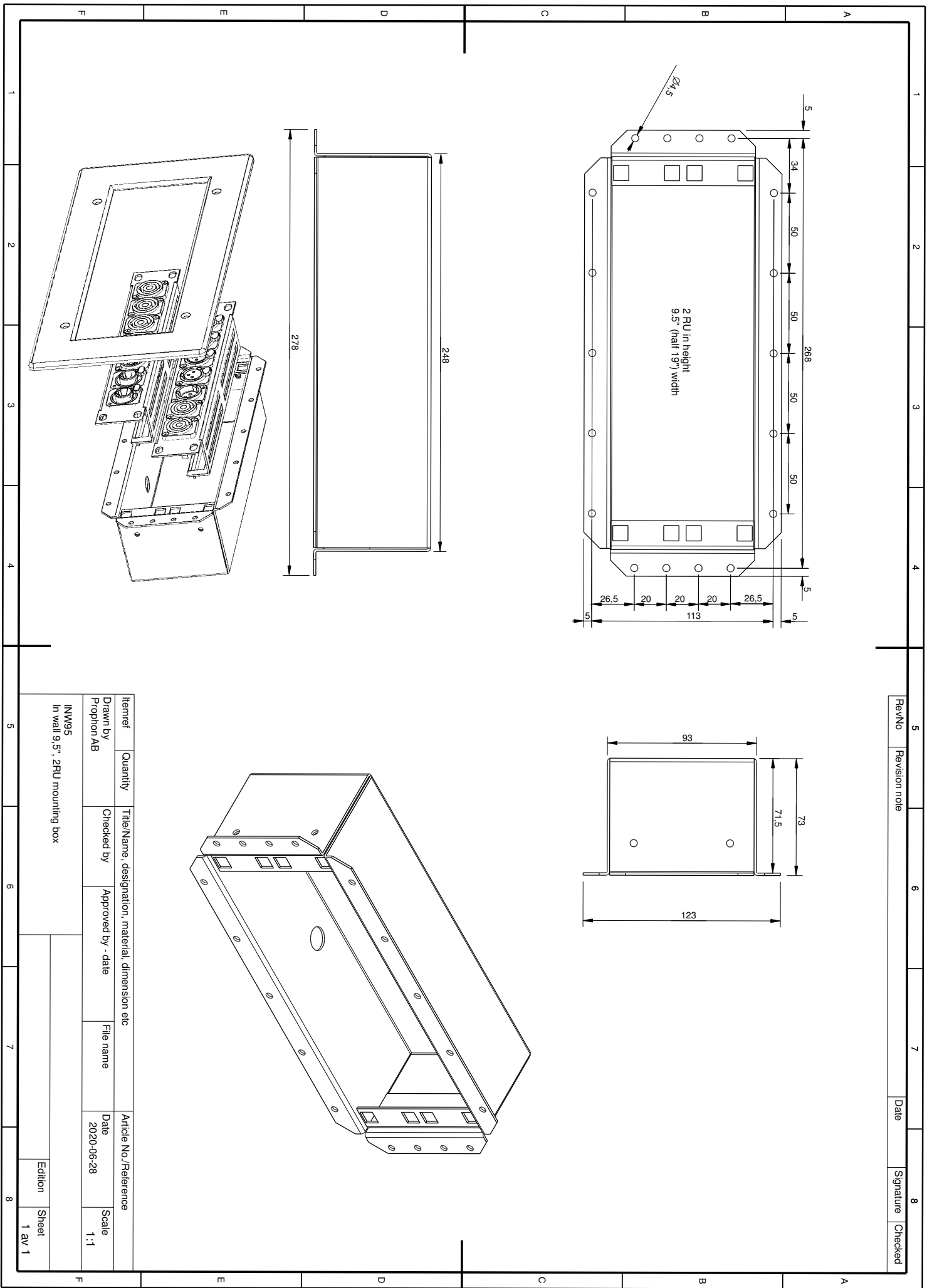
Prophon Audio & Teknik AB, Stockholm, Sweden
Linjalvägen 10C, 187 66 TÄBY, BOX 7268, 187 14 TÄBY
www.prophon.se, info@prophon.se, +46 8 92 86 00

PRORACK INW-SERIES

In-Wall 9,5" rackmount cabinets

Part nr	Description
INW95	In wall box, 2RU,9,5", incl. rackmounts
INW95FB	Cover frame wood, black
INW95FW	Cover frame wood, white
95001	9,5", 1RU cover panel, black
95001W	9,5", 1RU cover panel, white
95002	9,5", 2RU cover panel, black
95002W	9,5", 2RU cover panel, white
95009	9,5", 1RU ventilation panel, black
95009W	9,5", 1RU ventilation panel, white
95225SVK	9,5", 2RU panel for 2 x 25 pin multiconnector, black
952512	9,5", 2RU panel for 1 x 25 pin, 8 x D-serie connectors, black
9525SVK	9,5", 2RU panel for 1 x 25-pin multiconnector, black
9537SVK	9,5", 2RU panel for 1 x 37-pin multiconnector, black
954XLR	9,5", 1RU panel for 4 x D-series connectors, black
954XLRW	9,5", 1RU panel for 4 x D-series connectors, white
956XLR	9,5", 1RU panel for 6 x D-series connectors, black
956XLRW	9,5", 1RU panel for 6 x D-series connectors, white
956XLRTB	9,5", 1RU panel for 6 x D-series connectors, with cable-tiebar, black
956XLRTBW	9,5", 1RU panel for 6 x D-series connectors, with cable-tiebar, white
957XLR	9,5", 1RU panel for 7 x D-series connectors, black
957XLRW	9,5", 1RU panel for 7 x D-series connectors, white
95225SVK	9,5", 1RU panel for 2 x 25-pin multiconnector





RevNo	Revision note	Date	Signature	Checked
5				

Itemref	Quantity	Title/Name, designation, material, dimension etc	Article No./Reference
Drawn by Prophon AB		Checked by	Date 2020-06-28
		Approved by - date	File name
			Scale 1:1

Itemref: INW95
 Description: In wall 9.5", 2RU mounting box

Edition	Sheet
	1 av 1